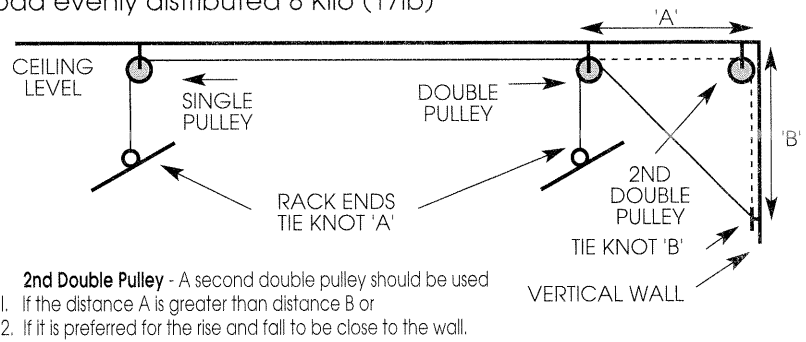
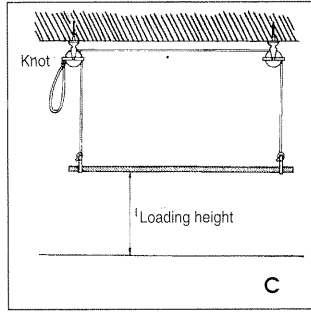
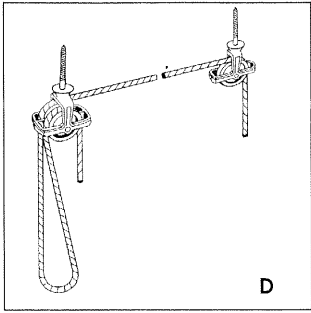


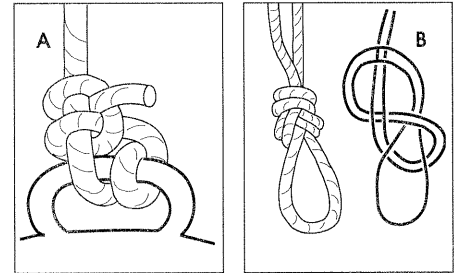
The "Sheila Maid" Clothes Airer

Is designed for drying clothes but it can be put to many other practical uses at the discretion of the purchaser.
Maximum safe working load evenly distributed 8 Kilo (17lb)



INSTRUCTIONS FOR ASSEMBLY AND INSTALLATION . CHECK THE CONTENTS:

4 RAILS () 1 SINGLE PULLEY () 2 RACKENDS () 1 CLEAT () CORD ()
 1 DOUBLE PULLEY () EXTRA DOUBLE PULLEY OPTIONAL () HANGING HOOKS OPTIONAL ()
 2 PLUGS AND 2 SCREWS TO FIX CLEAT () (screws and plugs are included for cleat fixing.
 Check fixing location carefully - if in doubt about the size or suitability of the screws and plugs
 provided consult a competent joiner.)



CHECK THE FIXING POSITION:

1. WILL THE 'SHEILA MAID' RISE AND LOWER WITHOUT OBSTRUCTION? 2. CAN YOU LOCATE LOAD BEARING CEILING JOISTS TO FIX PULLEY?
 (Ceiling joists usually span the room width normally at either 16" or 18" centres)
3. IS THE FIXING POSITION FOR THE CLEAT IN LINE WITH PULLEY POSITION AND INTO A **LOAD BEARING STRUCTURE?**
1. Slot the 4 timber rails into the rack ends leaving on each rail approximately 4" (57" rails) 8" (72" rails) 12" (84" rails) 12" (96" rails) projecting outside of the supports.
2. Having located the joists prepare two ceiling fixings at 50" centres (57" rails) 56" centres (72" rails) 60" centres (84" rails) 72" centres (96" rails) to take the wood screw threaded pulleys supplied. (The fixing may vary if joists run at right angles to airer position) Test drill a 3/16" (4mm) hole to confirm that the pulley screw position is safe into a solid sound timber fixing that will accept the FULL LENGTH of the threaded pulley screw.
3. If the joist you are screwing into is particularly hard, or if you find that great effort is required to screw in the pulleys, then enlarge the holes **SLIGHTLY**. Do not apply any excess leverage to the pulley which may break the casting or shear the screw thread.
4. Fix DOUBLE PULLEY at ceiling point nearest in line to where the cleat will be used to retain the cord lift. Fix SINGLE PULLEY at ceiling point furthest in line from the cleat.
5. Assemble 'SHEILA MAID' in horizontal position at floor level under the pulley positions take one end of the cord through double and single pulleys (picture D) to tying eye on rack end under single pulley and tie with a double knot onto rack end tying eye. (knot drawing A.)
6. Take the other end of the cord through double pulley (picture D) to tying eye on the rack end under double pulley and tie with a secure double knot onto rack end tying eye (knot drawing A)
7. The 'SHEILA MAID' should raise and lower on pulling both cords together. The knot linking the two cords (picture C) prevents both running through double pulley and stops 'SHEILA MAID' lowering below working level. Adjust the knot position if necessary to achieve this. (knot drawing B)
8. **FIXING THE CLEAT.** The cleat should be fixed to ensure the pulley cord is in line with ceiling pulleys. The full load of the airer when in use is carried on the cleat and it is **ESSENTIAL TO CHOOSE A LOAD BEARING STRUCTURE** to fix the cleat into sound brick or solid timber. The cleat should be fixed with 2 No. 8 countersunk steel woodscrews provided and should allow approximately 1 3/4" of penetration into the structure to which it is to be fixed. The plugs provided should be fixed only into sound concrete or solid brick using an 6mm masonry drill to a depth of 45mm. All other fixings must be made with reference to plug and screw makers recommendations. The cleat should **NEVER BE FITTED ONTO ANY CAVITY STRUCTURE OR CAVITY MATERIAL.**
9. Raise the 'SHEILA MAID' to the chosen maximum height and if necessary tie a second knot as in (7.) above. Use the loop in the cord created by the knot to secure the 'SHEILA MAID' at the chosen maximum height to the wall mounted cleat.

NB The longer 'SHEILA MAIDS' can be provided with a second double pulley. This pulley is required if the tying distance to the cleat is some way from the 'SHEILA MAID'. If you have some difficulty with the installation of the 'SHEILA MAID' it is recommended that advice be taken from a competent joiner. If children are in the house check that the cleat fixing is at a height out of their reach.

MAKE REGULAR CHECKS FOR SECURITY OF PULLEY AND CLEAT FIXINGS AND FOR WEAR TO PULLEY CORD.

ENSURE THE PILOT HOLE IS DRILLED TO THE SAME DEPTH AS THE THREADED PULLY SCREW.